



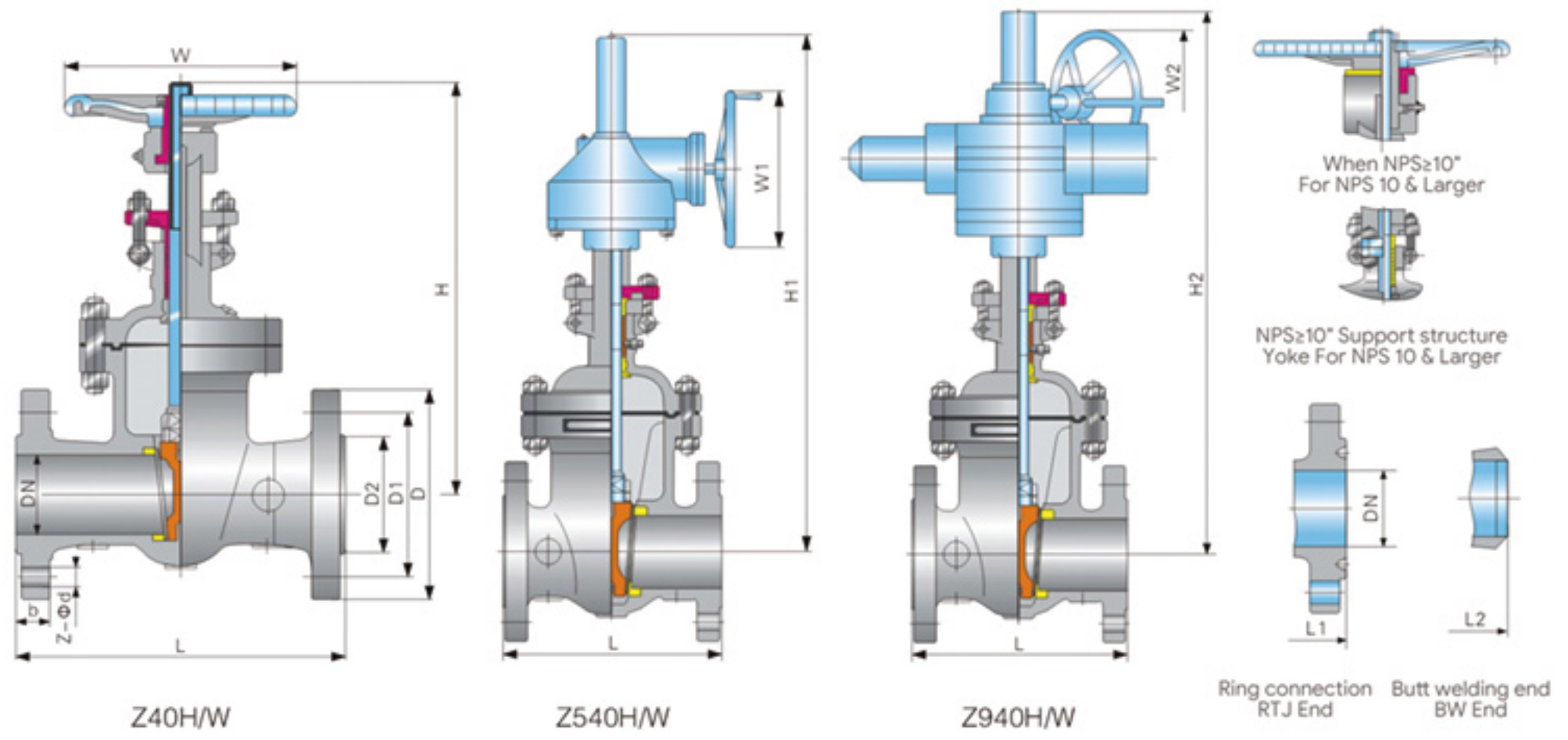
**AS600**  
2"-40"(DN50-DN1000)

# **API Gate Valve**

*Compact Structure & Good Rigidity*

# API Gate Valve

1. Design and manufacture of the product is according to ASME B16.34, API 600 and API 6D.
2. It is widely used in petroleum, chemical, natural gas, petrochemical, coal chemical and other industries.
3. API gate valve has the advantages of simple structure, good sealing performance, small fluid resistance, large temperature range, good sealing performance as well as no restrictions on the direction of the dielectric flow.
4. The stem is specially treated for strength, rigidity, corrosion resistance and wear resistance.



## Adoption Standard

Design Standards	API 6D/API 600, JIS B2073-2083
Face to Face	ASME B16.10, JIS B2002
Tubing Flange	ASME B16.5, JIS B2212-2214
Butt-Weld Ends Size	ASME B16.25
Check and Test	API 6D, API 598, JIS B2003
Driving Style	worm gear; electric actuator; bevel gear.

## Specification for Testing

Pressure Class and Nominal Pressure	Shell Test (Mpa)	Seal Test(Mpa)	
		Seal Test(Mpa)	Low Pressure Gas Seal
150Lb, PN20	3.0	2.2	0.6
300Lb, PN50	7.5	5.5	
600Lb, PN110	16.5	12.1	
JIS 10K	3.0	2.2	
JIS 20K	7.5	5.5	

## Material For Main Parts

Part Name		Material					
Body Bonnet Wedge Disc		ASTM A216 WCB		ASTM A351 CF8	ASTM A351 CF8M	ASTM A351 CF3	ASTM A351 CF3M
Stem		1Cr13	0Cr18Ni9	0Cr17Ni12Mo2	00Cr19Ni10	00Cr17Ni14Mo2	
Top Seal Seat		1Cr13		Reality			
Disc	Sealing Face	13Cr	13Cr	STL	Reality	Reality	STL
Seat		13Cr	STL	STL	Reality	STL	STL
Packing		Flexible graphite ring + Oil-immersed asbestos packing					
Gasket		Soft graphite composite gasket (cover: carbon steel or stainless steel) stainless steel strip/soft graphite spiral wound gasket					
Middle Flange Nut		35CrMo ASTM A193 B7		0Cr18Ni9 / ASTM A 193 B8			
Middle Flange Nut		45 ASTM A194 2H		0Cr18Ni9 / ASTM A194 8			
Stem Nut		ZCuAL 10Fe3 / ASTM A439 D2					
Hand Wheel		Forged cast iron, spherulitic graphite iron, cast steel					
Suitable Status	Suitable Medium	water; steam; oil; etc		Nitric acid etc	A ceturm etc	Strong oxidation medium	Urea and other corrosive media
	Suitable Temperature	-29~425°C		-40~200°C Save and except the temperature, please explain in ordering			

## Main External and Connection Dimension

unit:mm

Type	NPS	DN	Class 150Lb								WT (kg)
	in	mm	L	D	D1	D2	b	Z-d	H	W	
Z40H/Y/W-150LB (Body: WCB) (Body: CF8) (Body: CF8) (Body: CF3) (Body: CF3M)	2"	50	178	150	120.5	92	16.3	4-Φ19	323	200	18
	2 ½"	65	190	180	139.5	105	17.9	4-Φ19	347	250	28
	3"	80	203	190	152.5	127	19.5	4-Φ19	383	250	33
	4"	100	229	230	190.5	157	24.3	8-Φ19	457	300	50
	5"	125	254	255	216	186	24.3	8-Φ22	632	300	63
	6"	150	267	280	241.5	216	25.9	8-Φ22	635	350	85
	8"	200	292	345	298.5	270	29	8-Φ22	762	350	128
	10"	250	330	405	362	324	30.6	12-Φ25	895	400	220
	12"	300	356	485	432	381	32.2	12-Φ25	1080	500	310
	14"	350	381	535	476.5	413	35.4	12-Φ29	1295	600	450
	16"	400	406	595	540	470	37	16-Φ29	1435	600	550
	18"	450	432	635	578	533	40.1	16-Φ32	1626	650	700
	20"	500	457	700	635	584	43.3	20-Φ32	1829	650	910
	24"	600	508	815	749.5	692	48.1	20-Φ35	2175	700	1130
	28"	700	610	835	795	762	45	40-Φ22	2695	700	2230
	32"	800	660	940	900	864	46.6	48-Φ22	3281	610	2490
36"	900	711	1055	1010	972	52.9	44-Φ26	3721	610	3310	
40"	1000	762	1175	1121	1080	56.1	44-Φ29	3980	610	4840	

## Main External and Connection Dimension

unit:mm

Type	NPS	DN	Class 300Lb								WT (kg)
	in	mm	L	D	D1	D2	b	Z-d	H	W	
Z40H/Y/W-300LB (Body: WCB) (Body: CF8) (Body: CF8) (Body: CF3) (Body: CF3M)	2"	50	216	165	127	92	22.7	8-Φ19	330	250	30
	2 ½"	65	241	190	149	105	25.9	8-Φ22	368	250	36
	3"	80	282	210	168.5	127	29.0	8-Φ22	394	300	61
	4"	100	305	255	200	157	32.2	8-Φ22	473	300	77
	5"	125	381	280	235	186	35.4	8-Φ22	660	350	106
	6"	150	403	320	270	216	37	12-Φ22	711	350	153
	8"	200	419	380	330	270	41.7	12-Φ25	813	400	286
	10"	250	457	445	387.5	324	48.1	16-Φ29	1003	500	412
	12"	300	502	520	451	381	51.3	16-Φ32	1137	600	576
	14"	350	762	585	514.5	413	54.4	20-Φ32	1489	600	886
	16"	400	838	650	571.5	470	57.6	20-Φ35	1581	650	1175
	18"	450	914	710	628.5	533	60.8	24-Φ35	2017	838	1301
	20"	500	991	775	686	584	64	24-Φ35	2228	889	1672
	24"	600	1143	915	813	692	70.3	24-Φ41	2650	1092	2562
	32"	800	1524	1055	978	902	103.6	32-Φ41	3692	810	4850
	36"	900	1727	1170	1089	1010	103.6	32-Φ45	4104	1000	6850
40"	1000	1930	1275	1191	1114	116.3	40-Φ45	4547	1000	8460	

## Main External and Connection Dimension

unit:mm

Type	NPS	DN	Class 600Lb								WT (kg)
	in	mm	L	D	D1	D2	b	Z-d	H	W	
Z40H/Y/W-600LB (Body: WCB) (Body: CF8) (Body: CF8) (Body: CF3) (Body: CF3M)	2"	50	292	165	127	92	25.4	8-Φ19	510	254	44
	2 ½"	65	330	190	149	105	28.6	8-Φ22	554	254	60
	3"	80	356	210	168	127	31.8	8-Φ22	595	305	80
	4"	100	432	275	216	157	38.1	8-Φ25	712	356	145
	5"	125	508	330	266.5	186	44.5	8-Φ29	826	406	236
	6"	150	559	355	292	216	47.7	12-Φ22	995	508	309
	8"	200	660	420	349	270	55.6	12-Φ32	1157	610	522
	10"	250	787	510	432	324	63.5	16-Φ35	1373	686	779
	12"	300	838	560	489	381	66.7	20-Φ35	1603	686	1108
	14"	350	889	605	527	413	69.9	20-Φ38	1930	762	1503
	16"	400	991	685	603	470	76.2	20-Φ41	2032	889	1939
	18"	450	1092	745	654	533	82.6	20-Φ45	2286	889	2733
	20"	500	1194	815	724	584	88.9	24-Φ45	2591	1118	3214
	24"	600	1397	940	838	692	101.6	24-Φ52	3124	1118	4177
	28"	700	1549	950	864	784	115.9	28-Φ48	3362	1000	6050
	32"	800	1778	1085	984	895	130.2	28-Φ54	3811	1000	8312
36"	900	2083	1215	1105	1010	146.1	28-Φ60	4260	1000	10000	

# ABOUT

AEN.TECH is an integrated machinery manufacturing group company. It has 18 years of development history since its first plant was put into operation. Currently, it has three factories in China and mainly produces various types of valves and machined products. Over the years, the products have been widely used in metallurgy, chemical industry, sewage treatment, heating and construction, gas, and other fields, and AEN committed to providing customers with a full range of industrial valve solutions.



World Headquarters, Anshan, China

The factory has advanced processing equipment and the products are produced in accordance with API, ANSI, JIS, ISO, BS, JB, and GB standards. The production technology is advanced and the testing methods are perfect.

Over the years, the company has served the world's industrial sectors with its advantages of good reputation, stable product quality, modern enterprise management, automated processing equipment and advanced technology.

The main products: valves, pipe fittings.

## Worldwide Sales and Services Network



All statements, technical information, and recommendations in this brochure are only for general use. For your specific requirements and material selection, please consult with representatives or sales of AEN .TECH. The right to change or modify the product design or product itself without prior notice is reserved.

Welcome global partners!

DISTRIBUTOR

## AEN.TECH CONTACT

High-tech Zone, Anshan, Liaoning, China

E-mail: liuchangsong9688@gmail.com, ceo@asaicn.com

TEL No: +86 04122616600

www.aen-valve.com